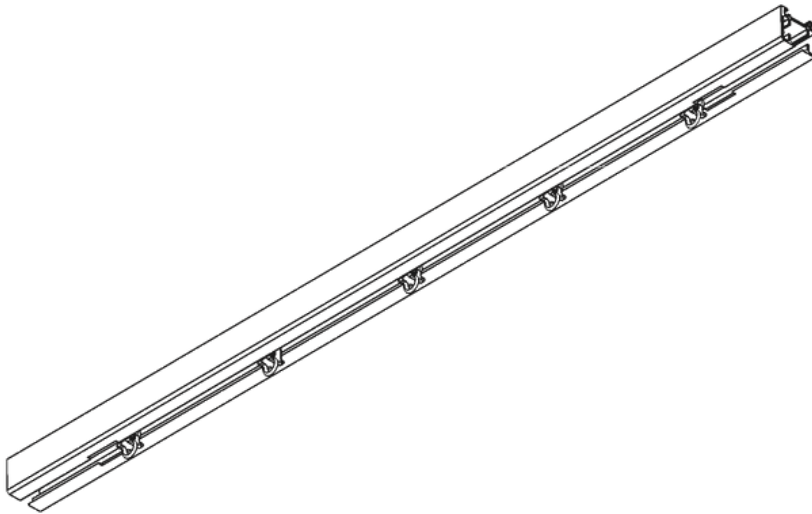
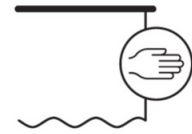


# SG 10925

---



## PRODUCT INFORMATION

- **Operation:** hand
- **Range:** S - M
- **Fitting:** ceiling, wall
- **Colours:** white RAL 9016

### **Features:**

- Wave
- Various control options
- Bendable

# SYSTEM SPECIFICATIONS

## A. SYSTEM DIMENSIONS



20 ft



55 lbs

### Max. curtain weights with rollers

|  | 10 ft | 19 ft |
|--|-------|-------|
|  | 44    | 55    |
|  | 44    | 55    |
|  | 44    | 35    |
|  | 44    | 35    |
|  | 33    | 28    |
|  | 33    | 28    |
|  | 26    | 22    |
|  | 26    | 22    |

( lb max.)

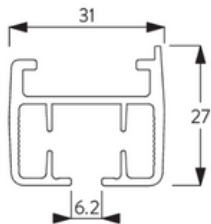
### Max. curtain weights with Wave gliders

|  | 10 ft | 19 ft |
|--|-------|-------|
|  | 44    | 44    |
|  | 44    | 44    |
|  | 39    | 30    |
|  | 39    | 30    |
|  | 26    | 22    |
|  | 26    | 22    |
|  | 22    | 19    |
|  | 22    | 19    |

( lb max.)

## B. PROFILE

Profile and bending information

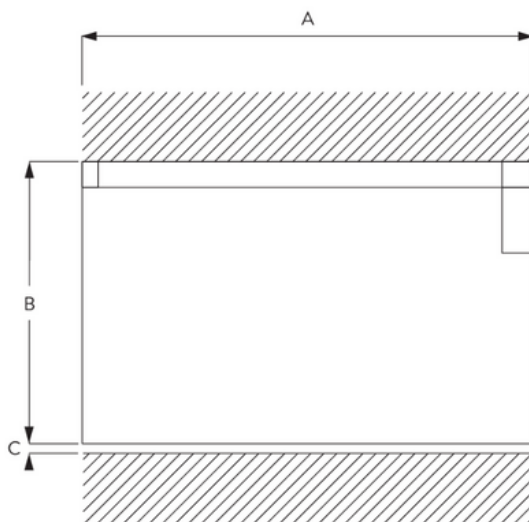


SG 10925

Profile



## C. HOW TO MEASURE



A: System width  
B: System height  
C: Distance between floor and fabric

# FITTING

## A. FITTING INFORMATION

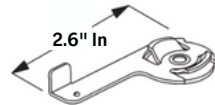
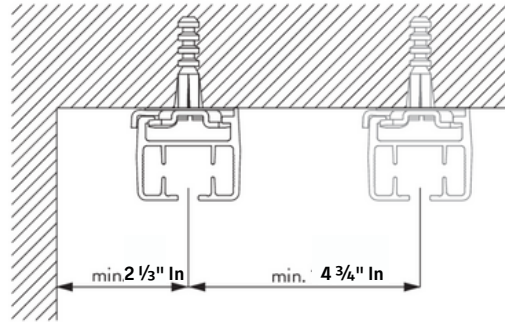
### Fixing points

For detailed fitting information, visit the Silent Gliss website.



## B. CEILING FITTING

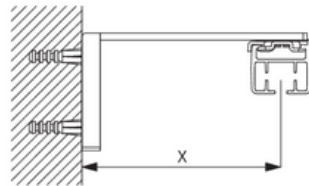
### Clamp SG 10926



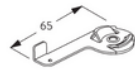
**SG 10926**  
Clamp

## C. WALL FITTING

### Smart Fix



**Smart Fix SG 11201 - SG 11205 and clamp SG 10926:**  
Screw SG 11127 (M4x10) needed.



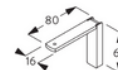
**SG 10926**  
Clamp



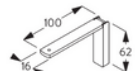
**SG 11127**  
Countersunk head screw  
M4x10



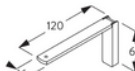
**SG 11158**  
Countersunk head screw  
M4x12



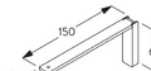
**SG 11201**  
Smart Fix 80 mm



**SG 11202**  
Smart Fix 100 mm



**SG 11203**  
Smart Fix 120 mm



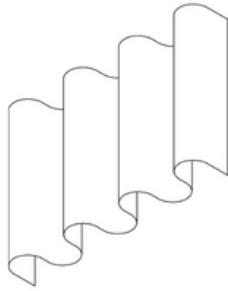
**SG 11204**  
Smart Fix 150 mm



**SG 11205**  
Smart Fix 200 mm

# SYSTEM OPTIONS

## A. WAVE



SG 6365



SG 10854



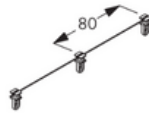
SG 10856



SG 10867



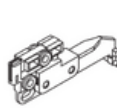
SG 10887



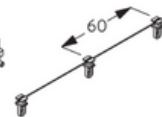
SG 10905



SG 10924



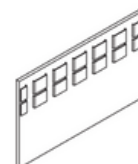
SG 10845



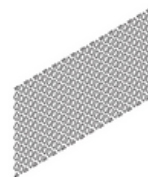
SG 10906



SG 3582



SG 6349



SG 6363



SG 10075



SG 10076

### Standard components:

- SG 6365 Wave hanger
- SG 10854 Wave overlap arm support
- SG 10856 Wave end stop, belt return
- SG 10867 Panhead screw
- SG 10887 Wave overlap arm set
- SG 10905 Wave glider cord 80 mm
- SG 10924 Wave glider support

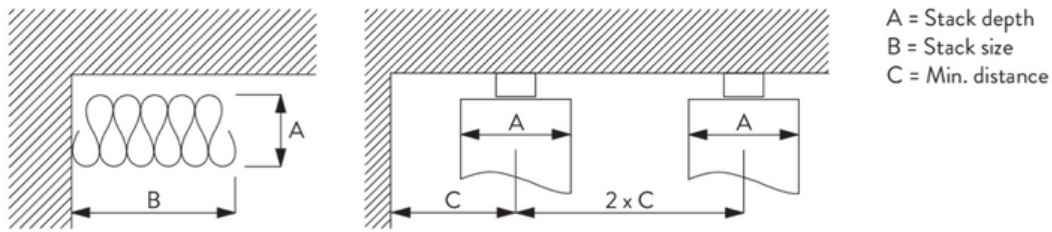
### Optional components:

- SG 10845 Wave master carrier single stack 80 mm
- SG 10906 Wave glider cord 60 mm (no single stack)

### Curtain components:

- SG 3582 Hook
- SG 6349 Wave curtain tape
- SG 6363 Wave top hemming tape
- SG 10075 Lead weight 50 gr/m
- SG 10076 Fabric weight

Wave stack depth - glider cord (standard components)



| Glider cord SG 10905 | Pockets between hooks | Approx. curtain fullness | Stack depth A | Stack size B*          | Min distance C |
|----------------------|-----------------------|--------------------------|---------------|------------------------|----------------|
| 80                   | 6                     | ~2.1                     | 140           | 180 per metre of track | 90             |
| 80                   | 7                     | ~2.3                     | 160           | 180 per metre of track | 100            |

| Glider cord SG 10906 | Pockets between hooks | Approx. curtain fullness | Stack depth A | Stack size B*          | Min distance C |
|----------------------|-----------------------|--------------------------|---------------|------------------------|----------------|
| 60                   | 4                     | ~2.1                     | 100           | 230 per metre of track | 70             |
| 60                   | 5                     | ~2.3                     | 120           | 230 per metre of track | 80             |

*\*Stack size B plus 180 mm for each curtain stack!*

**Silent Gliss Inc**  
**PO Box 592**  
**New York NY 10150**

**[Info@silentglissamerica.com](mailto:Info@silentglissamerica.com)**  
**[www.silentglissamerica.com](http://www.silentglissamerica.com)**