



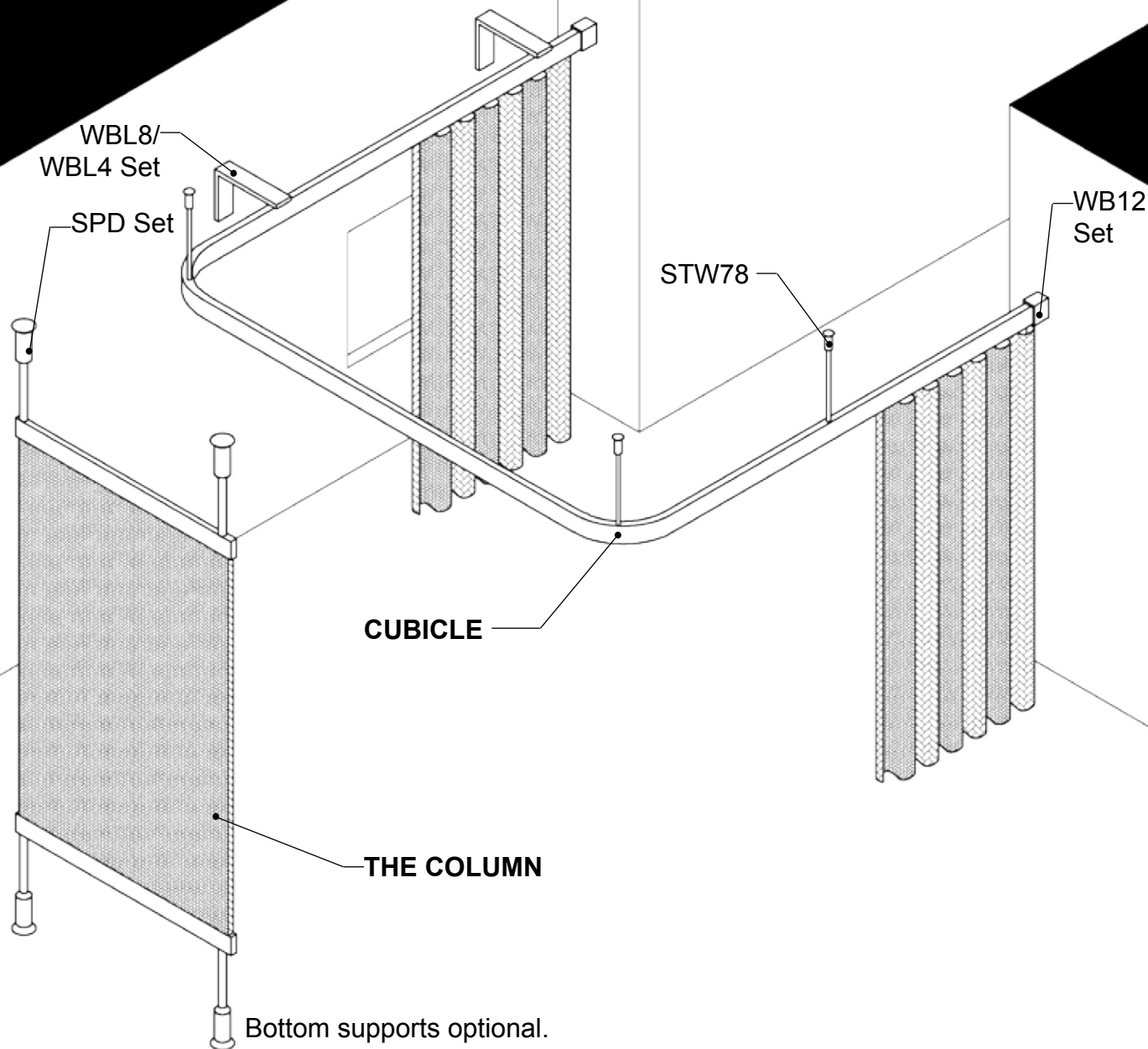
Sampson Mills

Window Treatments & Spatial Dividers

SUSPENSION|CEILING|WALL|SIDEWALL

CUBICLE

Where your creativity can flourish with our ingenuity.



THE COLUMN

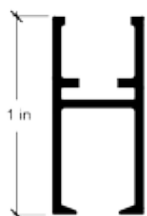
Stationary solution for spatial dividing and acoustical panels. Also suitable for areas with air flow, such as next to AC Vents or doorways. Bottom supports recommended for air flow applications.

Compatible with tracks SF90 and SF120.

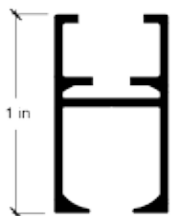
CUBICLE

Spatial dividing solutions for Hospitality, Healthcare and Commercial spaces. When used together with anti-microbial materials it can help reduce the spread of bacteria and viruses, while still retaining an open concept design.

Compatible with track F120.



SF90

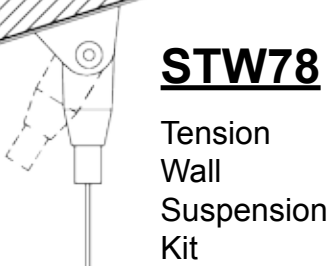


SF120/ F120 - Suspension/ Wall Mount

System can be mounted with adjustable suspension rods and tension cable to get around uneven ceilings or duct work.

SF90 and SF120 Stationary Panel Track.

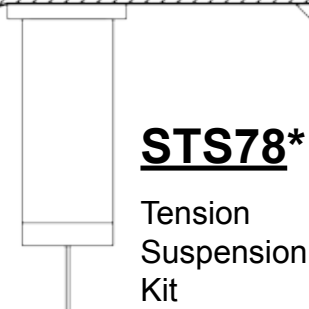
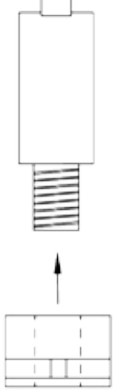
F120 for Curtain Track and Cubicle applications.



STW78

Tension Wall Suspension Kit

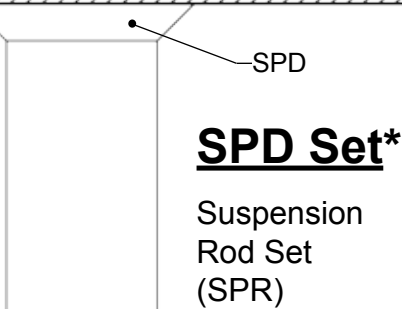
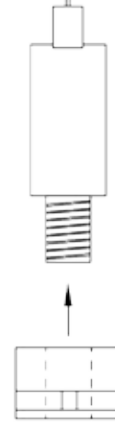
Wire (78in max)



STS78*

Tension Suspension Kit

Wire (78in max)

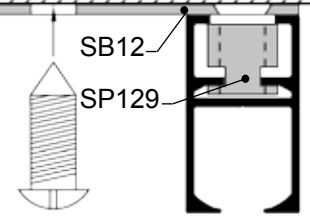
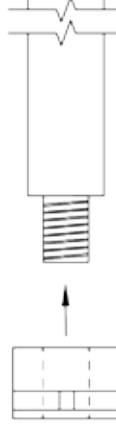


SPD Set*

Suspension Rod Set (SPR)

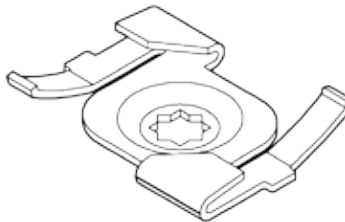
Image with optional decorative ceiling mount (SPD)

Rod (4in min)



SB12 Set

Surface Mounting Set (SB12 + SP129)



ZC01

*Optional Z-Clip for drop ceiling scenarios.



SP129

Universal mounting nut.

WB12 Set

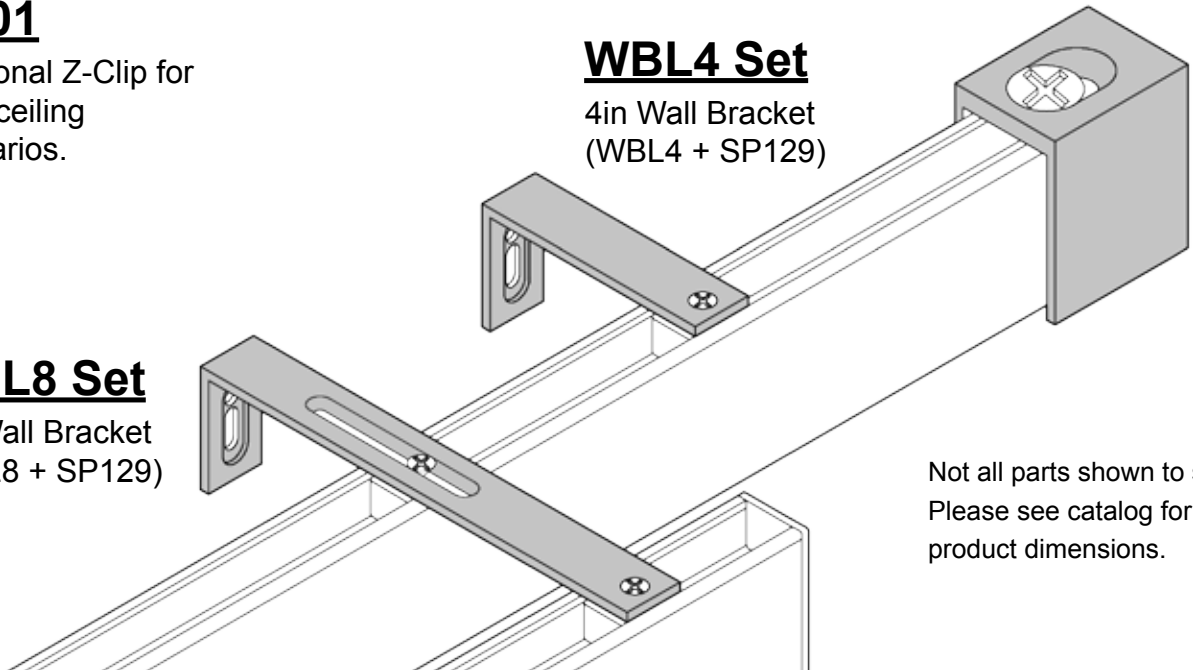
Side Wall Bracket (WB12 + SP129)

WBL4 Set

4in Wall Bracket (WBL4 + SP129)

WBL8 Set

8in Wall Bracket (WBL8 + SP129)



Not all parts shown to scale. Please see catalog for exact product dimensions.

Development Program

Please call or email us if you would like to utilize our Development Program for either private label, consulting services, or a request for product development.

*Where your
creativity can
flourish with
our ingenuity.*

Sampson Mills Ltd.

Showroom:
D&D Building
979 3rd Ave, Suite 1540
New York NY 10022

Assembly:
810 East 141st Street, 3rd Flr.
Bronx, NY, 10454

T (718) 412-9040
F (718) 412-9039
www.sampsonmills.com

